



HSM 805 model series



Technical data

Engine (HD, 6WD, Combination):

- Mercedes Benz
- OM 904 LA, 4 cyl. Turbo Diesel / TIER3
- Engine output: 129 kW (175 DIN horsepower)
- at rpm: 2200 rpm
- Max. torque: 675 Nm at 1200 - 1600 rpm
- Engine capacity: 4.25 litres

Engine (H):

- IVECO
- NEF 4 cyl. Common Rail Turbo / EuroMot TIER3
- Engine output: 104 kW (141 DIN horsepower)
- Max. rpm: 2200 rpm
- Max. torque: 608 Nm at 1600 rpm
- Engine capacity: 4.5 litres

Transmission:

- HSM High Speed Drive (71 series)
- 2-step NAF transfer gearbox

Axles:

- Planetary axles
- 100% separately selectable differential locks, front and rear

Brake:

- 2-circuit brake, disk brake running in an oil bath
- Spring-loaded parking brake

Steering:

- Articulated steering
- 45° steering angle

Diesel tank:

- 160 litres

Hydraulics:

- Load sensing
- Pump output: Flow rate: 232 litres/min at 1600 rpm
Pressure: up to 350 bar
- Option: Flow rate: 232 litres/min at 1600 rpm
Pressure: up to 350 bar
(for HD model series)
- Tank: 90 litres
- Hydraulic fluid: Saturated, synthetic ester
Panolin HLP SYNTH with Kleenoil
Microfiltration water hazard class 1
- Control block: Rexroth
- Leakage oil filter

Cab:

- Tilted cab, with hydraulic bearing, soundproofed
- ROPS, FOPS, OPS tested safety cab
- Swivel seat device, air-suspended comfort seat
- Hot water heating

Electrics / Instruments:

- CMC digital electronics with adjustable parameters
- 5 driving programs
- Multi-function display
- 24 V, 90 A alternator
- 2 maintenance-free dry-cell batteries

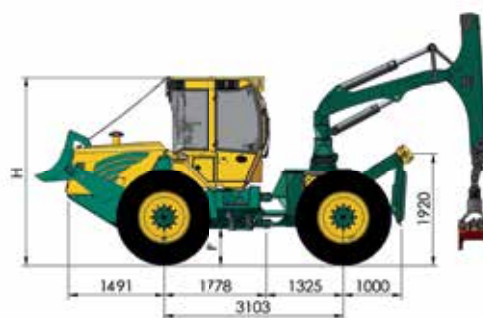
Standard equipment:

- 12 LED work lamps
- 24 V - 12 V voltage transformer
- Radio with CD player, fire extinguisher, first-aid kit, warning triangle, tool set and much more

Special accessories:

- Tilttable front polder shield, front loader (Hauer), trailer hitch, outer hydraulic connection, remote control for cable winch, wireless driving, heating/air-conditioning, auxiliary heating, Xenon work lamp, sun blinds, seat damping pad
- Additional accessories on request

805H



Winches:

- Series: Adler HY 16 (2 x 80 kN) double-drum winch
Max. cable take-up of 14 mm, 100 m
- Optional: Adler HY 20 (2 x 100 kN) double-drum winch
Max. cable take-up of 14 mm, 100 m

Weight:

- 10900 kg (standard)
Weight distribution: Front axle: 60%
Rear axle: 40%

Forwarder:

- Epsilon M80 R59 - R80
(max. range 8 m, lifting moment 95 kNm gross)
- Epsilon M90 R59 - R72
(max. range 7.2 m, lifting moment 104 kNm gross)
- Loglift F81 R51 - RT65
(max. range 6.5 m, lifting moment 93 kNm gross)

Tyres:

	Size:	Total width:	H:	F:
• Series:	600/60-30.5	2360 mm	3114	581
• Optional:	650/60-26.5	2460 mm	3084	551
	750/55-26.5	2700 mm	3084	551
	18.4-26	2220 mm	3067	534

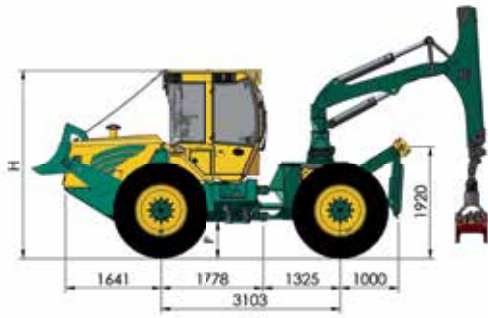
Standard equipment:

- Fixed front polder shield, 1600 mm wide
- Lowerable straight shield

Special equipment:

- Hydraulically height-adjustable roller block
- Clamping workbench on height-adjustable roller block
- Straight shield with sprag brake
- "Skidder France" version pulley
- Straight shield, rounded version
- Engine bonnet protection and brush guard made from tubing
- Additional accessories on request

805HD



Winches:

- Series: Adler HY 20 (2 x 100 kN) double-drum winch
Max. cable take-up of 14 mm, 100 m
- Optional: Adler HY 24-SG (2 x 120 kN) double-drum winch
Max. cable take-up of 14 mm, 130 m
Adler HY 32-SG (2 x 160 kN) double-drum winch
Max. cable take-up of 16 mm, 100 m

Weight:

- 11500 kg (standard)
Weight distribution: Front axle: 60%
Rear axle: 40%

Forwarder:

- Epsilon M80 R59 - R80
(max. range 8 m, lifting moment 95 kNm gross)
- Epsilon M90 R59 - R72
(max. range 7.2 m, lifting moment 104 kNm gross)
- Epsilon S110 R59 - R72
(max. range 8 m, lifting moment 126 kNm gross)
- Loglift F81 R51 - RT65
(max. range 6.5 m, lifting moment 93 kNm gross)
- Loglift F101 R58 - RT72
(max. range 7.2 m, lifting moment 125 kNm gross)

Tyres:

	Size:	Total width:	H:	F:
• Series:	23.1 x 26	2360 mm	3158	625
• Optional:	28L-26	2600 mm	3164	631
	620/75-26	2400 mm	3137	604
	600/65-34	2360 mm	3190	657
	710/55-34	2620 mm	3191	658

Standard equipment:

- Fixed front polder shield, 1600 mm wide
- Lowerable straight shield

Special equipment:

- Hydraulically height-adjustable roller block
- Clamping workbench on height-adjustable roller block
- Straight shield with sprag brake
- "Skidder France" version pulley
- Straight shield, rounded version
- Engine bonnet protection and brush guard made from tubing
- Torsion lock with hydraulic cylinder
- Additional accessories on request

805 6WD



Winches:

- Series: Adler HY 20 (2 x 100 kN) double-drum winch
Max. cable take-up of 14 mm, 100 m
- Optional: Adler HY 24-SG (2 x 120 kN) double-drum winch
Max. cable take-up of 14 mm, 130 m

Weight:

- 13900 kg (standard)
Weight distribution: Front axle: 50%
Rear axle: 50%

Forwarder:

- Epsilon S120 - R80
(max. range 8 m, lifting moment 139 kNm gross)
- Epsilon S120 - R96
(max. range 9.6 m, lifting moment 139 kNm gross)

Tyres:

Series:	Size:	Minimum width:	H:	F:
At the front:	23.1 x 26	2550 mm	3540	573
At the rear:	710/40x22.5			

The minimum width changes when using belts (+100). Other tyres on request.

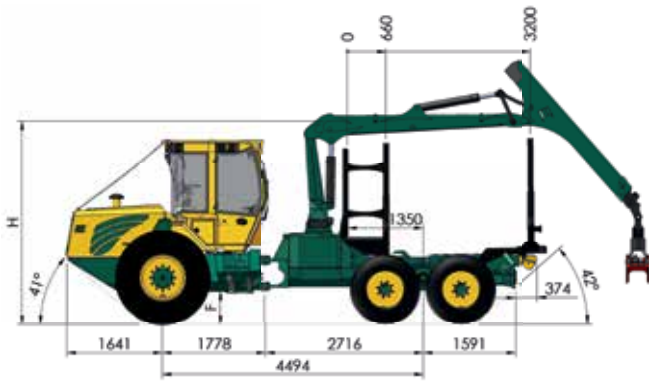
Standard equipment:

- Fixed front polder shield, 1600 mm wide
- Lowerable straight shield

Special equipment:

- Clamping workbench on roll supports
- Engine bonnet protection and brush guard made from tubing
- Bogie lift at the rear
- Additional accessories on request

805 Kombi short



Winches:

- Series: Adler HY 16 (2 x 80 kN) double-drum winch
Max. cable take-up of 14 mm, 100 m
- Optional: Adler HY 20 (2 x 100 kN) double-drum winch
Max. cable take-up of 14 mm, 100 m

Weight:

- 13900 kg (series)

Payload:

- 9 t

Forwarder:

- See crane list

Tyres:

- | Series: | Size: | Minimum width: | H: | F: |
|---------------|-------------|----------------|------|-----|
| At the front: | 23.1 x 26 | 2550 mm | 3540 | 573 |
| At the rear: | 710/40x22.5 | | | |

The minimum width changes when using belts (+100). Other tyres on request.

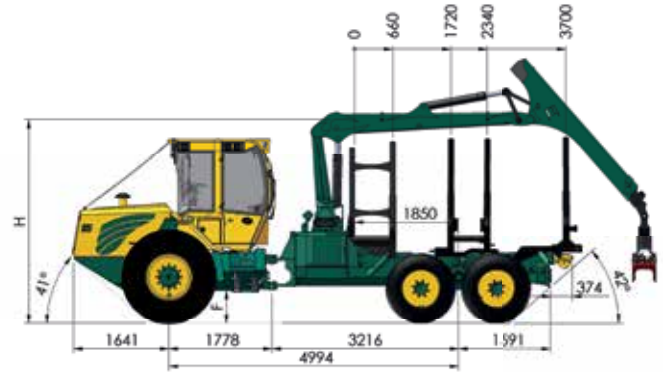
Standard equipment:

- Headboard grid and first stanchion removable
- Last stanchion can be removed and adjusted to 1.85 m, 2.65 m and 3.2 m
- Height-adjustable roller block
- Torsion lock with hydraulic cylinder

Special equipment:

- Front polder shield
- Straight shield
- Clamping workbench with quick-change plate
- Rotating stanchion
- Additional accessories on request

805 Kombi long



Winches:

- Series: Adler HY 16 (2 x 80 kN) double-drum winch
Max. cable take-up of 14 mm, 100 m
- Optional: Adler HY 20 (2 x 100 kN) double-drum winch
Max. cable take-up of 14 mm, 100 m

Weight:

- 13900 kg (series)

Payload:

- 9 t

Forwarder:

- See crane list

Tyres:

- | Series: | Size: | Minimum width: | H: | F: |
|---------------|-------------|----------------|------|-----|
| At the front: | 23.1 x 26 | 2550 mm | 3540 | 573 |
| At the rear: | 710/40x22.5 | | | |

The minimum width changes when using belts (+100). Other tyres on request.

Standard equipment:

- Headboard grid and first stanchion removable
- Last stanchion can be removed and adjusted to 2.35 m, 3.15 m and 3.7 m
- Height-adjustable roller block
- Torsion lock with hydraulic cylinder

Special equipment:

- Front polder shield
- Straight shield
- Clamping workbench with quick-change plate
- Twin stanchions as 2nd and 3rd stanchion on quick-change plate
- Rotating stanchion
- Additional accessories on request

The variable rear



Variable last stanchion in "Short" position



Height-adjustable pulleys up to 2 m



Variable last stanchion in "Medium" position



Rope forwarding possible without reconfiguring the stanchion



Variable last stanchion in "Long" position



Log forwarding with quick-change clamping workbench



Quick-change twin stanchion
for 2 x 2 or 2 x 2.5 m wood
(not for 805F short version)



Rope forwarding possible without reconfiguring
the clamping workbench

HSM 805

X = available with surcharge O = standard equipment # = not available

	Crane type	Lifting moment	Range	Gripper type	805F
					Kombi
Mesera Loglift	F71 F72	99/75 kNm	7.2 m	FG43S	X
	F71 FT85	99/70 kNm	8.5 m	FG43S	X
	F71 FT100	99/66 kNm	10.0 m	FG43S	X
	F71 FT100i	99/66 kNm	10.0 m	FG43S	X
	F83 F72	106/82 kNm	7.2 m	FG43S	X
	F83 FT85	106/76 kNm	8.5 m	FG43S	X
	F83 FT100i	106/73 kNm	10.0 m	FG43S	X
	M 92 F80i	130/84 kNm	8.0 m	FG43S	X
	M 92 FT86i	130/84 kNm	8.6 m	FG43S	X
	M 92 FT100i	130/84 kNm	10.0 m	FG43S	#
	F111 F72	151/111 kNm	7.2 m	FG43S	#
	F111 F85	151/100 kNm	8.5 m	FG43S	#
	F111 FT85	151/100 kNm	8.5 m	FG43S	#
	F111 FT91	151/98 kNm	9.1 m	FG43S	#
	F111 FT100	151/101 kNm	10.0 m	FG43S	#
	M122 F85i	155/110 kNm	8.5 m	FG43S	#
	M122 F96i	155/- kNm	9.6 m	FG43S	#
	M122 FT100i	155/- kNm	10.0 m	FG43S	#
	M142 F85i	178/132 kNm	8.5 m	FG43S	#
M142 F96i	178/124 kNm	9.6 m	FG43S	#	
M142 FT100i	178/- kNm	10.0 m	FG43S	#	
Epsilon	M70 F80	102/68 kNm	8.0 m	FG43S	O
	M70 F86	102/68 kNm	8.6 m	FG43S	X
	M70 F101	102/65 kNm	10.1 m	FG43S	X
	M80 F80	114/79 kNm	8.0 m	FG43S	X
	M80 F86	114/79 kNm	8.6 m	FG43S	X
	M80 F101	114/75 kNm	10.1 m	FG43S	X
	S100 F80	128/91 kNm	8.0 m	FG43S	X
	S100 F86	128/90 kNm	8.6 m	FG43S	X
	S100 F101	128/86 kNm	10.1 m	FG43S	#
	S110 F80	143/104 kNm	8.0 m	FG43S	#
	S110 F86	143/104 kNm	8.6 m	FG43S	#
	S110 F101	143/100 kNm	10.1 m	FG43S	#
	X120 F80	159/111 kNm	8.0 m	FG43S	#
	X120 F86	159/110 kNm	8.6 m	FG43S	#
	X120 F102	159/107 kNm	10.2 m	FG43S	#
	X140 F80	173/123 kNm	8.0 m	FG43S	#
	X140 F86	173/122 kNm	8.6 m	FG43S	#
X140 F102	173/119 kNm	10.2 m	FG43S	#	
Low crane pillar (height: 1730 mm)					



Various toolboxes, for example for power saws



Problem-free mulch mode with hydraulic performance from HSM



"Hauer" front loader for more flexibility

**HSM Hohenloher Spezial-
Maschinenbau GmbH & Co. KG**

Technik die Freude macht.

D-74635 Neu-Kupfer
Im Greut 10

Phone + 49 7944 / 9191-0

Fax + 49 7944 / 9191-77

E-mail: info@hsm-forest.com

www.hsm-forest.com

